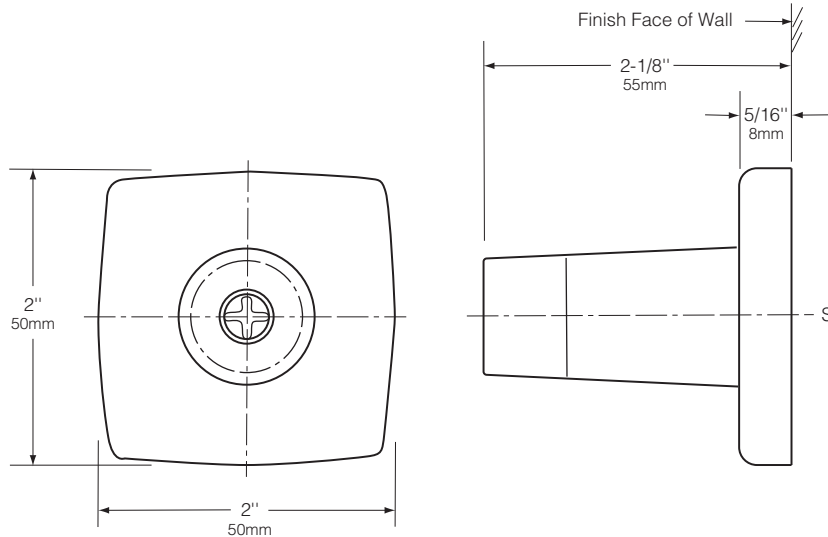
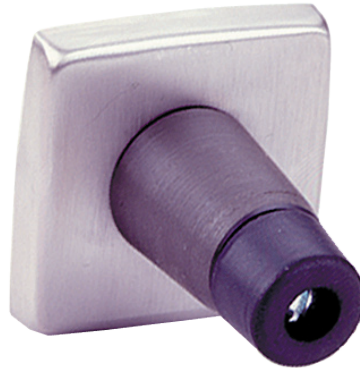




Technical Data

SURFACE-MOUNTED DOOR BUMPER

B-687 B-6877



MATERIALS:

Post — Black nylon.

Bumper — Black neoprene.

Base — 18-8 S, type-304, 22-gauge (0.8mm) stainless steel.

INSTALLATION:

Mount unit on wall with sheet-metal screw furnished by manufacturer at point indicated by an S.

SPECIFICATION:

Surface-mounted door bumper shall have base constructed of type-304 stainless steel with bright polished finish. Unit shall be equipped with black neoprene bumper. Manufacturer's service and parts manual shall be provided to the building owner/manager upon request.



RYNAT INDUSTRIES AUSTRALIA PTY LTD | www.rynat.com | Email: sales@rynat.com |

| Aust Wide: 1300 558 518 | Tel: +61 8 6254 6555 | 20 Murray Rd South Welshpool WA |