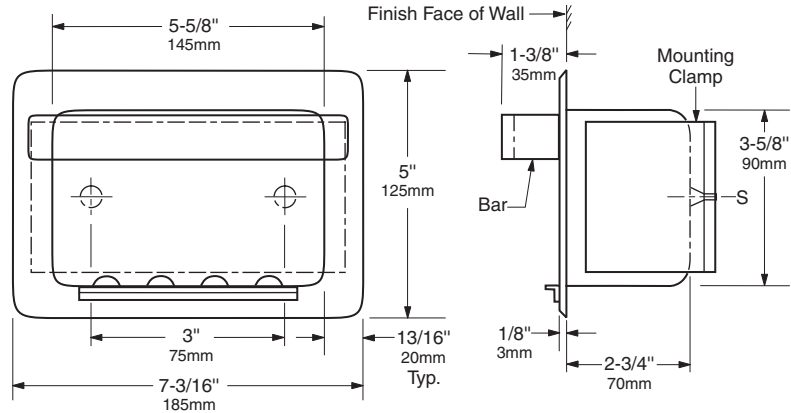




## Technical Data

# RECESSED HEAVY-DUTY SOAP DISH WITH BAR (FOR STUD WALLS)

# B-4390



**Rough Wall Opening**  
 6" (150mm) wide  
 4" (100mm) high  
 4" (100mm) minimum recessed depth

### MATERIALS:

**Shell and Flange** — 18-8 S, type-304, 19-gauge (1.0mm) stainless steel with matte polished finish. Drawn and beveled, one-piece, seamless construction with two countersunk mounting holes.

**Retaining Lip** — 18-8 S, type-304, 22-gauge (0.8mm) stainless steel with matte polished finish.

**Bar** — 18-8 S, type-304, 3/16" (4.8mm) thick stainless steel with matte polished finish.

### INSTALLATION:

Provide framed rough wall opening 6" wide x 4" high (150 x 100mm). Minimum recessed depth to finish face of wall is 4" (100mm). Insert unit into rough wall opening, then secure unit with two sheet-metal screws furnished. Backing must comply with local building codes.

### SPECIFICATION:

Recessed heavy-duty soap dish with bar shall be type-304 stainless steel with matte polished finish. Shell and flange shall be 19 gauge (1.0mm) with drawn and beveled, one-piece, seamless construction. Bar shall be 3/16" (5mm) thick stainless steel and is welded to front of shell flange. Unit shall be equipped with a 22-gauge (0.8mm) retaining lip and furnished with machine screws.



RYNAT INDUSTRIES AUSTRALIA PTY LTD | [www.rynat.com](http://www.rynat.com) | Email: [sales@rynat.com](mailto:sales@rynat.com) |

Aust Wide: 1300 558 518 | Tel: +61 8 6254 6555 | 20 Murray Rd South Welshpool WA |