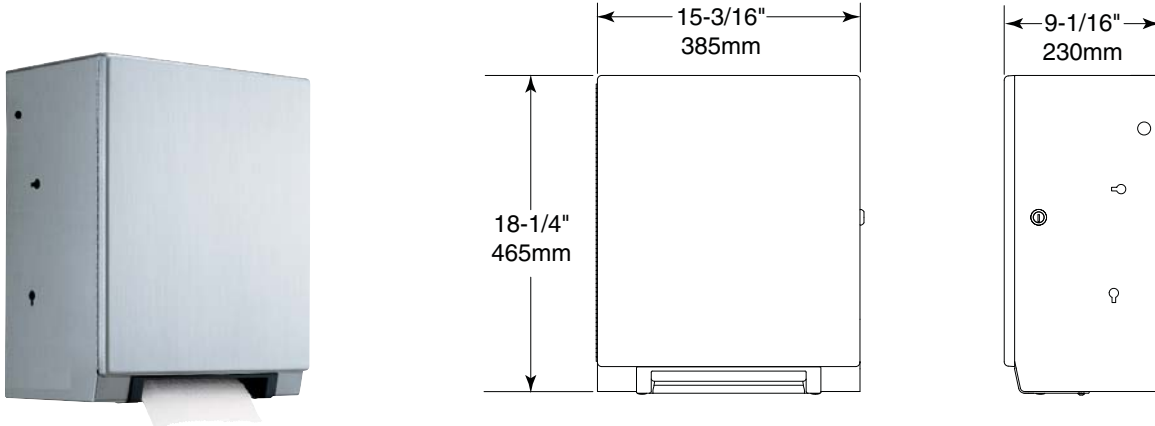




Technical Data

ClassicSeries® CONVERTIBLE AUTOMATIC UNIVERSAL ROLL PAPER TOWEL MODULE

3974-50



MATERIALS:

Automatic Roll Towel Mechanism — Durable, high-impact resin materials. Accepts universal standard-core, non-perforated rolls 8" (205mm) wide, 8" (205mm) diameter, 800 ft (244 m) long. Dispenses one towel per dispense and can be set to dispense paper towels at three different lengths. Accommodates up to 3-1/2" (90mm) diameter stub roll with automatic transfer to full roll.

Cabinet — 18-8 S, type-304, heavy-gauge stainless steel. All-welded construction. Exposed surfaces have satin-finish. Equipped with a tumbler lock keyed like other Bobrick washroom accessories.

Door — 18-8 S, type-304, 20-gauge (0.9mm) stainless steel with satin-finish. Drawn, one-piece, seamless construction. Secured to cabinet with full-length, stainless steel piano-hinge.

OPERATION:

Electronic sensor automatically dispenses towel when hands are placed under the towel opening. Dispenses universal, 1-1/2" to 2" (38 to 51mm) diameter core, up to 8" (205mm) diameter, 8" (205mm) wide, non-perforated, non-proprietary rolls. Towel length can be set to 9" (230mm), 12" (305mm), 15" (380mm). Optional "Paper Saver" feature allows a shorter second sheet to dispense immediately after the first sheet. The "Paper Saver" feature has two second sheet length options: 25% shorter sheet length or 12.5% shorter sheet length. Dispense delay can be set to 1, 2 or 3 seconds. There is no delay when "Paper Saver" option is selected. LED light on dispenser blinks when batteries need to be changed. The battery pack power source, holds 4 "D" size alkaline batteries (not furnished). Dispenser includes a 3-1/2" (90mm) diameter stub roll feature. When the stub roll is depleted, main roll automatically starts dispensing without the need to open the dispenser.

To adapt to changing needs of washrooms, this unit is field convertible with the Folded Towel Dispenser or (Mechanical) Universal Roll Towel Dispenser. To order convertible modules, reference part numbers below under Options.

Options:

- Folded Towel Dispenser Module convertible in field: order Bobrick Part No. 3944-52.
- (Mechanical) Universal Roll Towel Dispenser Module convertible in field: order Bobrick Part No. 3961-50.

POWER REQUIREMENTS:

Dispenser is powered by 4 "D" size alkaline batteries (not furnished) or a 6 volt DC power supply. Power supply is an optional accessory: order Bobrick AC Adapter Kit Part No. 3974-57.

INSTALLATION:

Remove existing dispenser module, then install new automatic universal roll towel module per Form No. 3974-69. For removal of Convertible Folded Towel Module refer to Form No. 3944-69. For removal of (Mechanical) Universal Roll Towel Dispenser Module refer to Form No. 3961-69.

Open battery cover at the front of the dispenser and install 4 "D" size alkaline batteries. Select sheet length, delay of "Paper Saver" mode using the switches to the right of the batteries. Load paper towel using the instructions on the dispenser.

Electrical supply for use with 6 volt DC power supply must be installed per applicable building codes.

SPECIFICATION:

Convertible automatic universal roll paper towel module shall be type-304 stainless steel with all-welded construction; exposed surfaces shall have satin-finish. Door shall be secured to cabinet with a full-length stainless steel piano-hinge and equipped with a concealed tumbler lock keyed like other Bobrick washroom accessories. No-touch dispenser dispenses universal, 1-1/2" to 2" (38 to 51mm) diameter core, up to 8" (205mm) diameter, 8" (205mm) wide, non-perforated, non-proprietary paper towel rolls, 800 ft (244 m) long. Dispenser automatically dispenses towel when hands are placed under the towel opening. Dispenser can be powered by 4 "D" size alkaline batteries or an optional 6 volt DC power supply. Equipped with switches that allow paper length to be set at 9" (230mm), 12" (305mm) or 15" (380mm), delay that can be set at 1, 2 or 3 seconds, and "Paper Saver" feature that provides a shorter second sheet with options of 25% shorter and 12.5% shorter. Blinking LED indicates if batteries need to be replaced. Automatic transfer shall dispense stub roll up to 3-1/2" (90mm) diameter before new main roll is automatically dispensed.



RYNAT INDUSTRIES AUSTRALIA PTY LTD | www.rynat.com | Email: sales@rynat.com |

Aust Wide: 1300 558 518 | Tel: +61 8 6254 6555 | 20 Murray Rd South Welshpool WA |