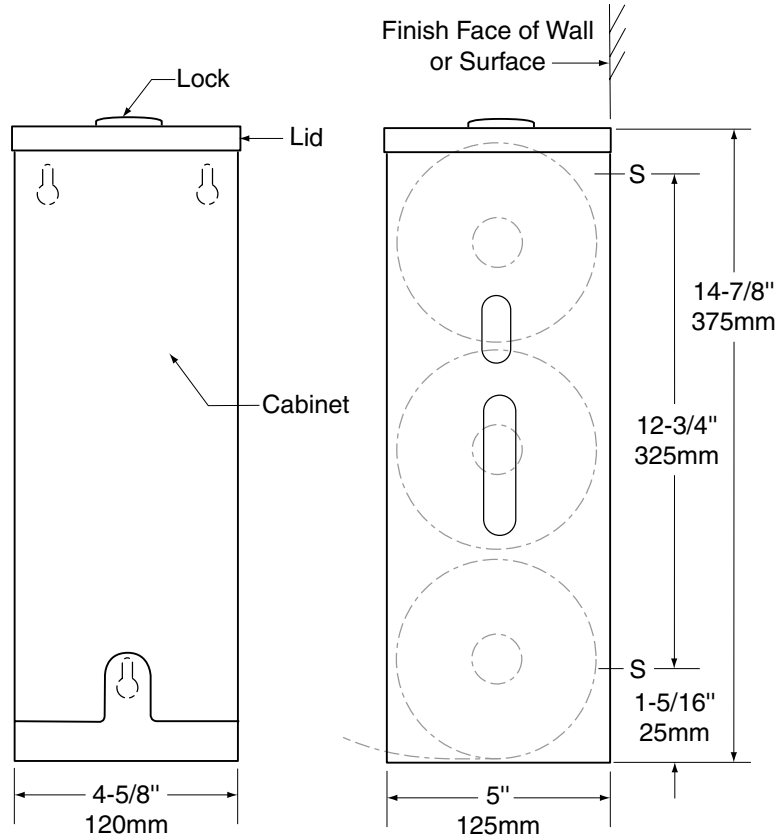




Technical Data

SURFACE-MOUNTED THREE ROLL TOILET TISSUE DISPENSER

B-27313



MATERIALS:

Cabinet — 18-8 S, type-304, 22-gauge (0.8mm) stainless steel. All welded construction. Exposed surfaces have satin finish.

Lid — 18-8 S, type-304, 22-gauge (0.8mm) stainless steel. Exposed surfaces have satin finish. Lid secured to cabinet with hinge and equipped with a tumbler lock keyed like other Bobrick washroom accessories.

OPERATION:

Unit holds 3 standard-core toilet tissue rolls up to 4-1/2" (120mm) maximum diameter. Tissue rolls are loaded into the cabinet through the top. Extra roll shall be manually dropped in place when bottom roll is depleted.

INSTALLATION:

Mount unit on partition with three #10 x 5/8" (M4.8x 16mm) sheet-metal screws (not furnished) at points indicated by an S. For plaster or dry wall construction, provide concealed backing to comply with local building codes, then secure unit with sheet-metal screws. For other wall surfaces, provide fiber plugs or expansion shields for use with sheet-metal screws or provide 3/16" (5mm) toggle bolts or expansion bolts.

SPECIFICATION:

Surface-mounted three roll toilet tissue dispenser shall be type-304 stainless steel all-welded construction; exposed surfaces shall have satin finish. Lid shall be secured to cabinet with a hinge and equipped with a tumbler lock keyed like other Bobrick washroom accessories. Unit shall dispense three standard-core toilet tissue rolls up to 4-1/2" (125mm). Extra roll shall be manually dropped in place when bottom roll is depleted.



RYNAT INDUSTRIES AUSTRALIA PTY LTD | www.rynat.com | Email: sales@rynat.com |

| Aust Wide: 1300 558 518 | Tel: +61 8 6254 6555 | 20 Murray Rd South Welshpool WA |