

## ENDURA TYPE B PARTITIONING SYSTEMS



# ENDURA TYPE B (no headrail) - toilet and shower partitioning systems

Recommended applications for building types:

| Designed for Schools & Local Government Projects to meet new Government Schools Specifications Guidelines |

- 13mm Solid Compact Laminate panels and doors
- Graffiti is no longer a problem. Solid compact laminate is chemical tolerant and therefore graffiti can be easily removed
- Optional floor fitting direct floor fix or adjustable assembly
- Resistance to graffiti, impact and cigarette burns
- Aluminium Components: ceiling channel, wall channel, corner posts are all natural anodized clear finish
- Door hardware is 'bolt through type' with tamper resistant fixings

## Resistance to Graffiti, Impact and Cigarette Burns



System Height: Floor to Ceiling  
 Overall Depth: 1500mm - 1800mm  
 Floor Clearance: 170mm



Coat Hook  
Non-marking rubber tipped



Turn Snib and Staple



Matching Rubber Door Stop  
Indicator uses red/green occupancy status



Spring Hinges  
Lift off for emergency access  
Hold open or closed (3 per door)



Fixed Directly to the Floor  
For maximum strength



Aluminium Foot Assembly  
With black rubber base



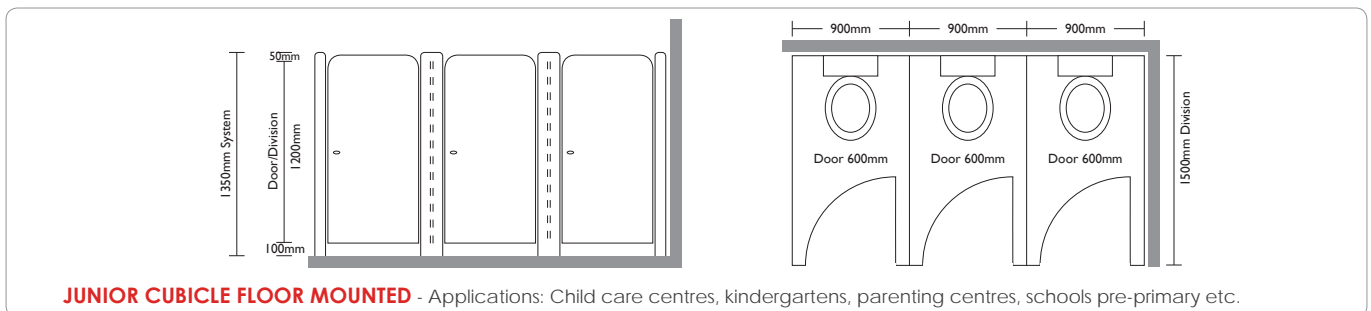
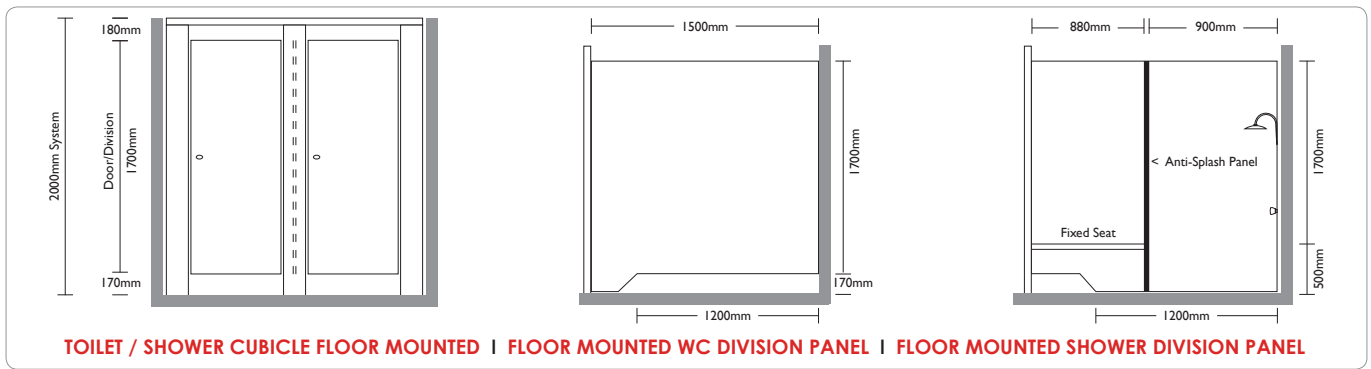
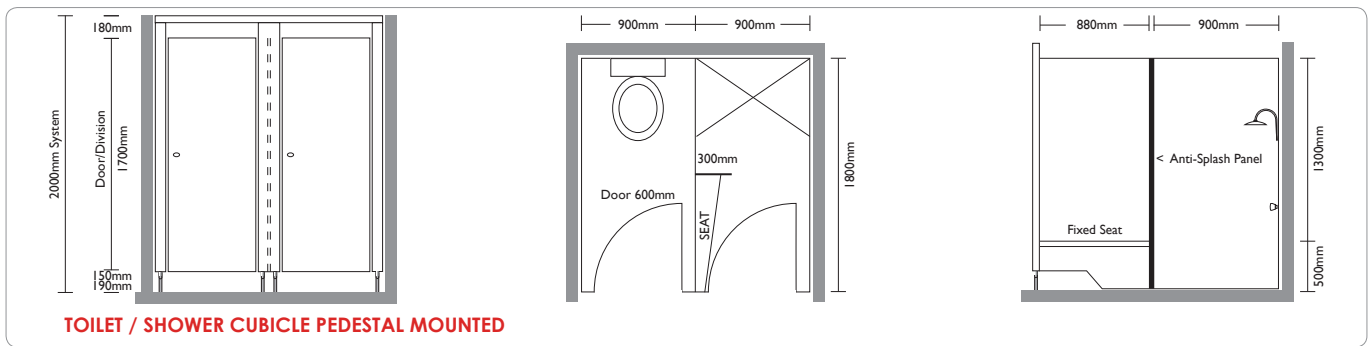
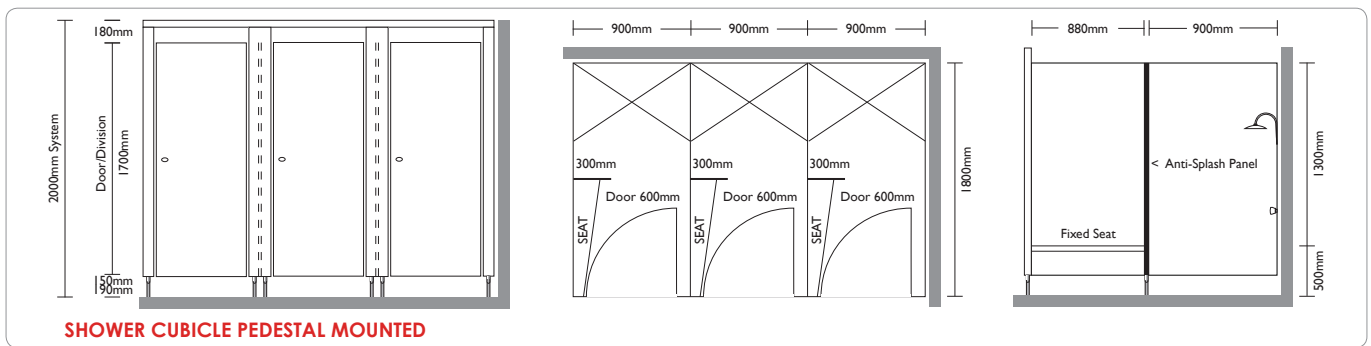
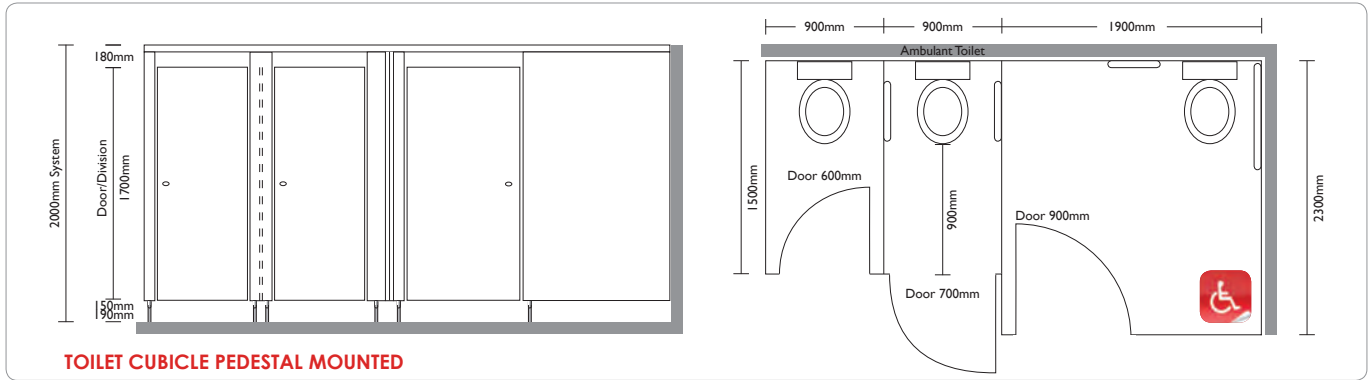
**Call 1300 558 518**

**Rynat Australia Pty Ltd**

Trading Entity ABN 26 881 739 757

(As Trustee for the GV & LM Paramor Family Discretionary Trust, trading as Rynat Industries Australia)

Head Office: 20 Murray Road South, Welshpool WA 6106  
 Perth Office: PO Box 600 Willetton, WA 6955  
 Melbourne Office: PO Box 240, Prahran VIC 3181  
 Email Address: info@rynat.com Fax: +61 8 9258 6270



PRODUCT SPECIFICATIONS:	OPTIMA	SPECTRUM	OMEGA	TRIMLINE	ENDURA A	ENDURA B	DATUM	JUNIOR
<b>SYSTEM HEIGHT</b> Overall height from floor to top of headrail	2000mm	2000mm	2000mm	2000mm	2000mm	Floor to Ceiling	Floor to Ceiling	1350mm
<b>FRONTAL PANELS</b> Aluminium Channel screw fixed to the back of the frontal panel and then screw fixed to the division panel	1850mm H x 200mm W (min)	1830mm H x 200mm W (min)	1830mm H x 200mm W (min)	2000mm H x 200mm W (min)	2000mm H x 200mm W (min)	Floor to Ceiling x 200mm W (min)	1800mm H x 200mm W (min)	1350mm H x 200mm W (min)
<b>END NIB PANELS</b> Aluminium Channel to be screw fixed to the wall and then fixed to the end nib panel	1850mm H x 80mm W (min)	1830mm H x 80mm W (min)	1830mm H x 80mm W (min)	2000mm H x 80mm W (min)	2000mm H x 80mm W (min)	Floor to Ceiling x 80mm W (min)	Floor to Ceiling x 80mm W (min)	1350mm H x 80mm W (min)
<b>WC DIVISION PANELS</b> Aluminium Channel to be screw fixed to the rear of the wall and the back of the frontal panel	1700mm H x 1500mm W	1700mm H x 1500mm W	1700mm H x 1500mm W	1700mm H x 1500mm W	1700mm H x 1500mm W	1700mm H x 1500mm W	1650mm H x 1500mm W	1200mm H x 1500mm W
<b>SHOWER DIVISION PANELS</b> Aluminium Channel screw fixed to the rear of the wall and the back of the frontal panel	1700mm H x 1800mm W	1700mm H x 1800mm W	1700mm H x 1800mm W	1700mm H x 1800mm W	1700mm H x 1800mm W	1700mm H x 1800mm W	1650mm H x 1800mm W	N/A
<b>DOORS</b> Hinged to either the end nib panel or frontal panel. Doors square edged cut with 2.5mm radius corners	STD: 1700H x 600W ACCESS: 1700H x 900W AMBULANT: 1700H x 700W	STD: 1700H x 600W ACCESS: 1700H x 900W AMBULANT: 1700H x 700W	STD: 1700H x 600W ACCESS: 1700H x 900W AMBULANT: 1700H x 700W	STD: 1700H x 600W ACCESS: 1700H x 900W AMBULANT: 1700H x 700W	STD: 1700H x 600W ACCESS: 1700H x 900W AMBULANT: 1700H x 700W	STD: 1700H x 600W ACCESS: 1700H x 900W AMBULANT: 1700H x 700W	STD: 1650H x 600W ACCESS: 1650H x 900W AMBULANT: 1700H x 700W	1200H x 600W
<b>FOOT ASSEMBLY - PEDESTAL MOUNTED</b> Frontal Panel = Qty 2 End Panel exceeding 100mm = Qty 1 Division Panel exceeding 1800mm = Qty 1 Corner End Division = Qty 1	150mm H	170mm H	170mm H	N/A	Optional 170mm H	Optional 170mm H	N/A	N/A
<b>FLOOR MOUNTED</b> Frontal Panels Fixed directly to the floor	N/A	N/A	N/A	✓	Optional	Optional	✓ (Stainless Steel Plinth)	✓
<b>SCREW FIX HARDWARE - SPRING</b> Oval Indicator, Latchset/Staple, Coat Hook Safety Lift Off Spring Hinges x 3 Concealed Fixing Plates	✓	✓	N/A	✓	N/A	N/A	N/A	N/A
<b>SCREW FIX HARDWARE - GRAVITY</b> Rounded Indicator, Latchset/Staple, Coat Hook Safety Lift Off Gravity Hinges x 3 Concealed Fixing Plates	N/A	N/A	✓	N/A	N/A	N/A	✓	N/A
<b>BOLT THROUGH HARDWARE</b> Oval Indicator, Latchset/Staple, Coat Hook Safety Lift Off Spring Hinges x 2 Tamper Resistant Fixings	N/A	N/A	N/A	N/A	✓	✓	N/A	✓
<b>REBATED DOORS</b> For Maximum Privacy	✓	✓	N/A	N/A	N/A	N/A	N/A	N/A
<b>ALUMINIUM OVERHEAD BRACED</b> (Profile)	✓	✓	✓	✓	✓	N/A	N/A	N/A
<b>PRODUCT LIMITED WARRANTY</b>	10 Years	10 Years	10 Years	10 Years	10 Years	10 Years	10 Years	10 Years

**Rynat Australia Pty Ltd**

Trading Entity ABN 26 881 739 757

(As Trustee for the GV & LM Paramor Family Discretionary Trust, trading as Rynat Industries Australia)

**Call us on 1300 558 518**

**Australia Wide**

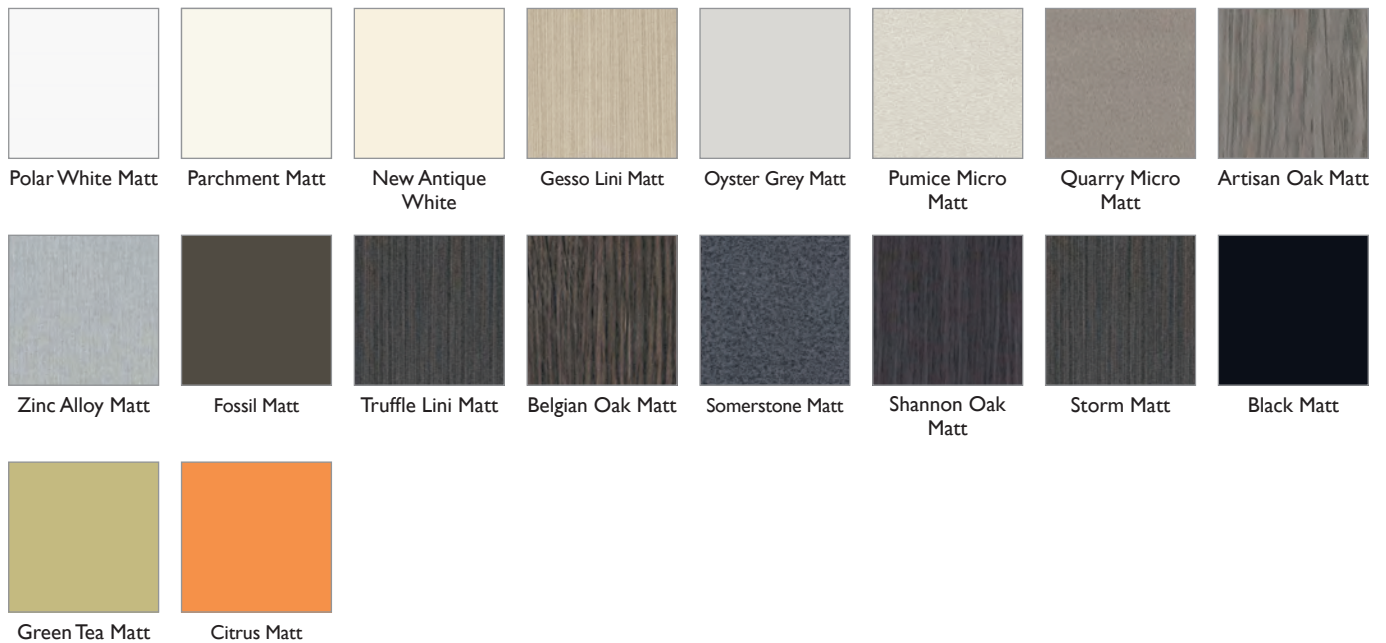
**Head Office:** 20 Murray Road South, Welshpool WA 6106  
**Postal Address:** Perth Office: PO Box 600 Willeton, WA 6955  
 Melbourne Office: PO Box 240, Prahran VIC 3181  
**Email Address:** info@rynat.com Fax: +61 8 9258 6270

**or visit our website at**  
[www.rynat.com](http://www.rynat.com)

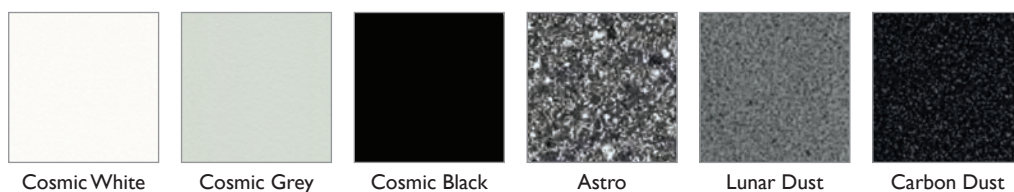
## POLYREY COMPACT COLOUR RANGE (\*not suitable for division panels exceeding 1500mm depth)



## POLYTEC COMPACT & MDF COLOUR RANGE



## LAMINEX XR COMPACT COLOUR RANGE



**LAMINEX COMPACT & MDF COLOUR RANGE**



green building council australia  
MEMBER

Rynat Products are engineered to provide maximum strength and durability which lowers maintenance or replacement costs offering long product life span and low panel emissions for better indoor air quality hence substantially contributing towards your **Green Star Credit Rating Points**.

Designed and manufactured by



Rynat Industries  
Australia

For the latest updated product  
information visit our website

[www.rynat.com](http://www.rynat.com)

**Call us on 1300 558 518 Australia Wide**

**Rynat Australia Pty Ltd**

Trading Entity ABN 26 881 739 757

(As Trustee for the GV & LM Paramor Family Discretionary Trust, trading as Rynat Industries Australia)

<b>Head Office:</b>	20 Murray Road South, Welshpool WA 6106		
<b>Postal Address:</b>	<b>Perth Office:</b>	PO Box 600 Willeton, WA 6955	
	<b>Melbourne Office:</b>	PO Box 240, Prahran VIC 3181	
<b>Email Address:</b>	<a href="mailto:info@rynat.com">info@rynat.com</a>	<b>Fax:</b>	+61 8 9258 6270