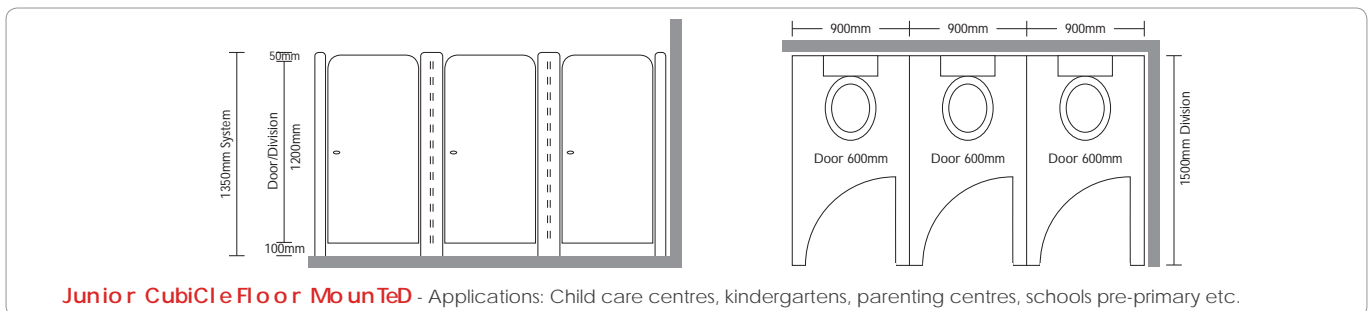
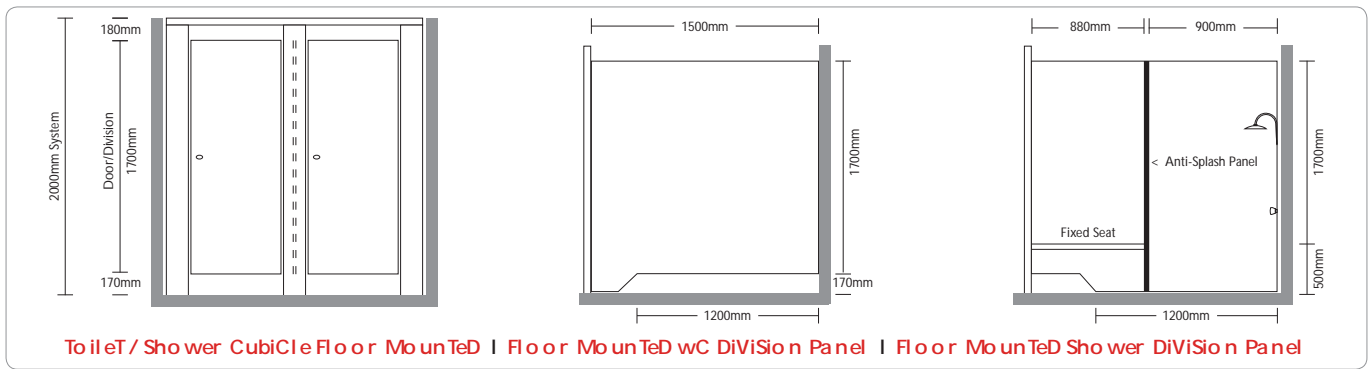
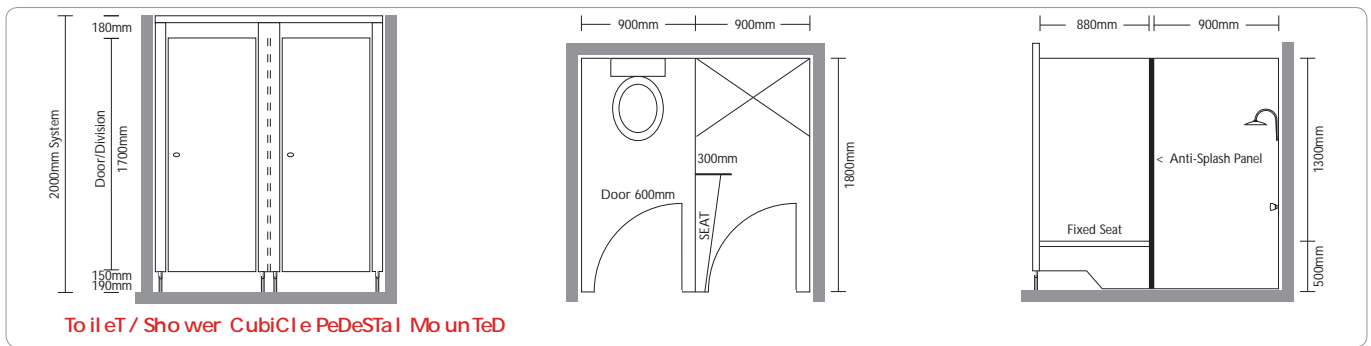
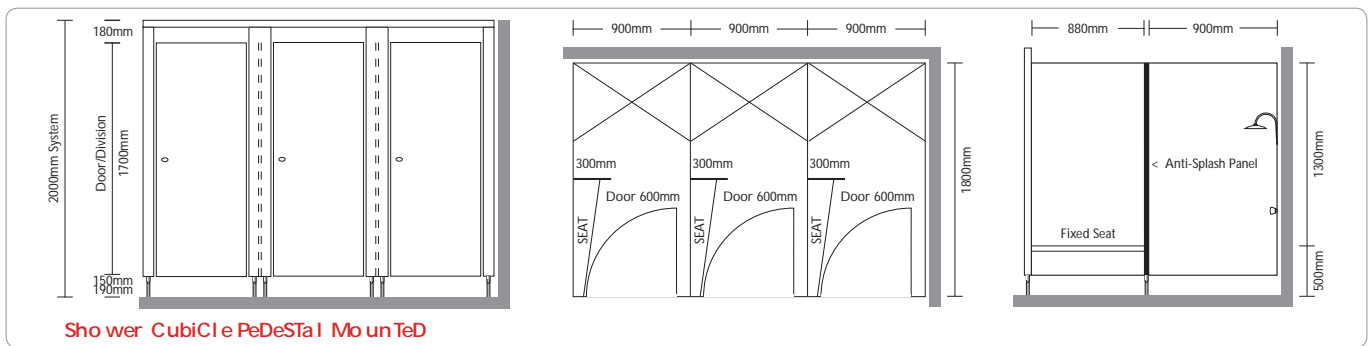
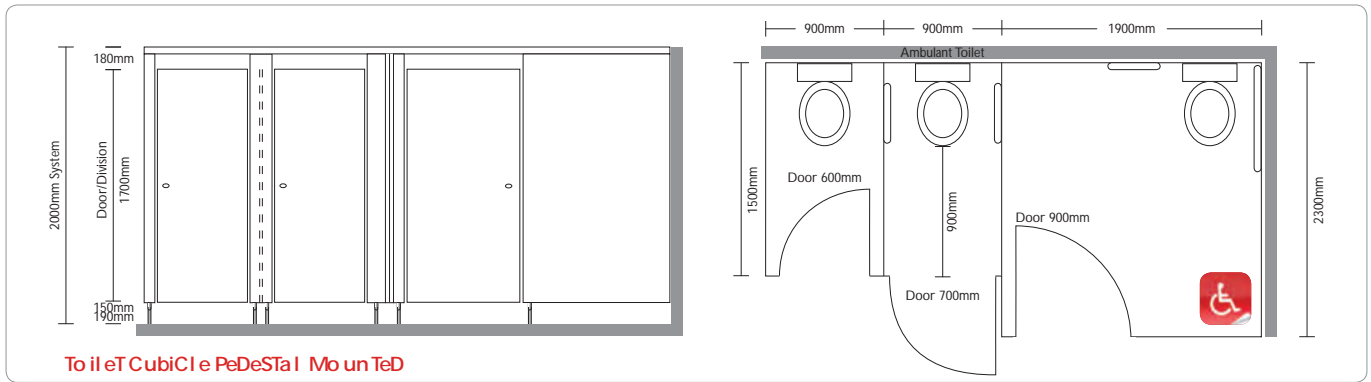


DATUM PARTITIONING SYSTEMS





ProDuCT SPeCiFiCaTiOnS:	oPTiMa	SPeCTrUM	oMeGa	TriMline	enDur a a	enDur a b	DaTuM	Junio r
SYSTeM heiGHT Overall height from floor to top of headrail	2000mm	2000mm	2000mm	2000mm	2000mm	Floor to Ceiling	Floor to Ceiling	1350mm
FrOnTAl PanelS Aluminium Channel screw fixed to the back of the frontal panel and then screw fixed to the division panel	1850mm H x 200mm W (min)	1830mm H x 200mm W (min)	1830mm H x 200mm W (min)	2000mm H x 200mm W (min)	2000mm H x 200mm W (min)	Floor to Ceiling x 200mm W (min)	1800mm H x 200mm W (min)	1350mm H x 200mm W (min)
enD nib PanelS Aluminium Channel to be screw fixed to the wall and then fixed to the end nib panel	1850mm H x 80mm W (min)	1830mm H x 80mm W (min)	1830mm H x 80mm W (min)	2000mm H x 80mm W (min)	2000mm H x 80mm W (min)	Floor to Ceiling x 80mm W (min)	Floor to Ceiling x 80mm W (min)	1350mm H x 80mm W (min)
wC DiViSiOn PanelS Aluminium Channel to be screw fixed to the rear of the wall and the back of the frontal panel	1700mm H x 1500mm W	1700mm H x 1500mm W	1700mm H x 1500mm W	1700mm H x 1500mm W	1700mm H x 1500mm W	1700mm H x 1500mm W	1650mm H x 1500mm W	1200mm H x 1500mm W
ShoWer DiViSiOn PanelS Aluminium Channel screw fixed to the rear of the wall and the back of the frontal panel	1700mm H x 1800mm W	1700mm H x 1800mm W	1700mm H x 1800mm W	1700mm H x 1800mm W	1700mm H x 1800mm W	1700mm H x 1800mm W	1650mm H x 1800mm W	N/A
DoorS Hinged to either the end nib panel or frontal panel. Doors square edged cut with 2.5mm radius corners	STD: 1700H x 600W ACCESS: 1700H x 900W AMBULANT: 1700H x 700W	STD: 1700H x 600W ACCESS: 1700H x 900W AMBULANT: 1700H x 700W	STD: 1700H x 600W ACCESS: 1700H x 900W AMBULANT: 1700H x 700W	STD: 1700H x 600W ACCESS: 1700H x 900W AMBULANT: 1700H x 700W	STD: 1700H x 600W ACCESS: 1700H x 900W AMBULANT: 1700H x 700W	STD: 1700H x 600W ACCESS: 1700H x 900W AMBULANT: 1700H x 700W	STD: 1650H x 600W ACCESS: 1650H x 900W AMBULANT: 1700H x 700W	1200H x 600W
Fo o T a SSeMbl Y - PeDeStAl Mo unTeD Frontal Panel = Qty 2 End Panel exceeding 100mm = Qty 1 Division Panel exceeding 1800mm = Qty 1 Corner End Division = Qty 1	150mm H	170mm H	170mm H	N/A	Optional 170mm H	Optional 170mm H	N/A	N/A
Flo o r Mo unTeD Frontal Panels Fixed directly to the floor	N/A	N/A	N/A	✓	Optional	Optional	✓ (Stainless Steel Plinth)	✓
SCrew FiX haRDWare - SPriNG Oval Indicator, Latchset/Staple, Coat Hook Safety Lift Off Spring Hinges x 3 Concealed Fixing Plates	✓	✓	N/A	✓	N/A	N/A	N/A	N/A
SCrew FiX haRDWare - GraViTY Rounded Indicator, Latchset/Staple, Coat Hook Safety Lift Off Gravity Hinges x 3 Concealed Fixing Plates	N/A	N/A	✓	N/A	N/A	N/A	✓	N/A
bo lT hroUgh haRDWare Oval Indicator, Latchset/Staple, Coat Hook Safety Lift Off Spring Hinges x 2 Tamper Resistant Fixings	N/A	N/A	N/A	N/A	✓	✓	N/A	✓
reba TeD Do o rS For Maximum Privacy	✓	✓	N/A	N/A	N/A	N/A	N/A	N/A
al uMi niuM o Ver heaD br a CeD (Profile)	✓	✓	✓	✓	✓	N/A	N/A	N/A
Pro DuCT liMiTeD waRra nTY	10 Years	10 Years	10 Years	10 Years	10 Years	10 Years	10 Years	10 Years

Rynat Australia Pty Ltd

Trading entity abn 26 881 739 757

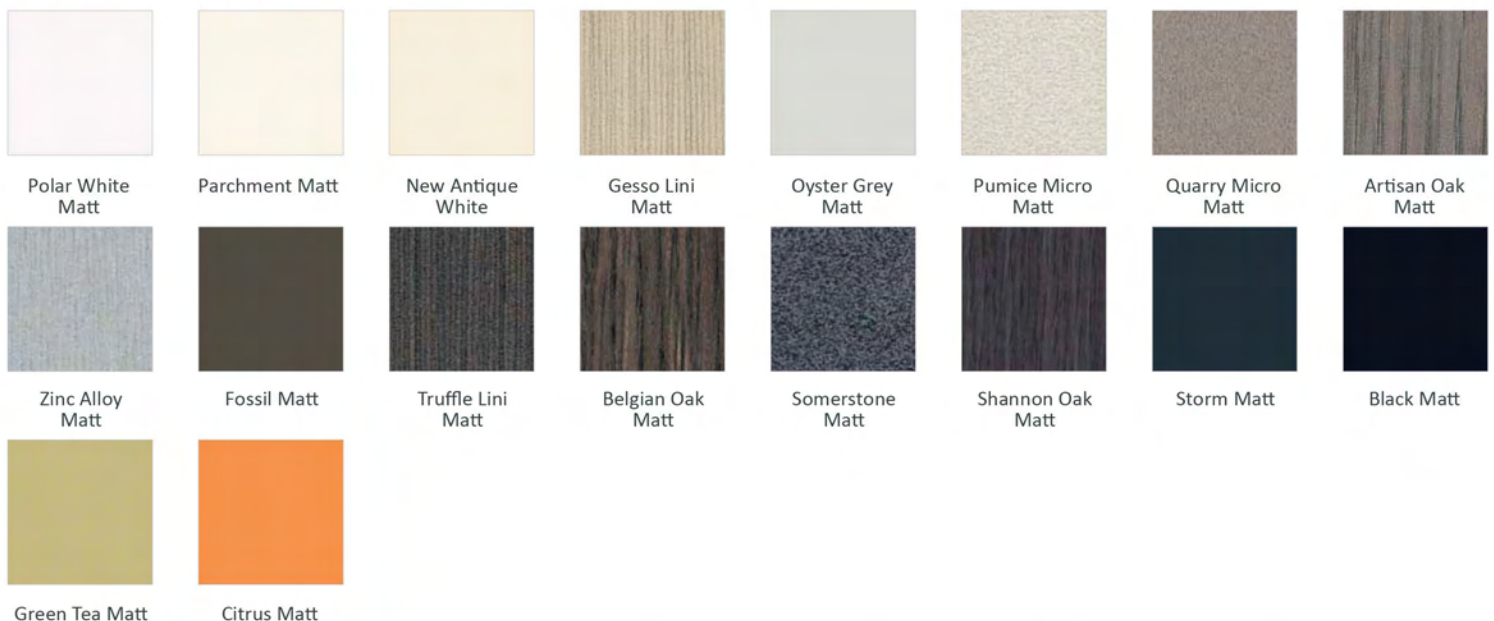
(As Trustee for the GV & LM Paramor Family Discretionary Trust, trading as Rynat Industries Australia)

Call us on 1300 558 518
Australia Wide

head o ffce: 20 Murray road South, welshpool wa 6106
 Postal a ddress: Perth o ffce: Po box 600 willeton, wa 6955
 Melbourne o ffce: Po box 240, Prahran ViC 3181
 email a ddress: info@rynat.com Fax: +61 8 9258 6270

or visit our website at
www.rynat.com

LAMINEX 33mm MDF COLOUR RANGE

POLYTEC 33mm MDF COLOUR RANGE

Rynat Australia Pty Ltd

Trading Entity ABN 26 881 739 757

(As Trustee for the GV & LM Paramor Family Discretionary Trust, trading as Rynat Industries Australia)

Head Office: 20 Murray Road South, Welshpool WA 6106

Postal Address: Perth Office
 PO Box 600, Willeton WA 6955

Email Address: info@rynat.com

Melbourne Office
 PO Box 240, Prahran VIC 3181

Fax: +61 8 9258 6270

Call us on 1300 558 518
Australia Wide