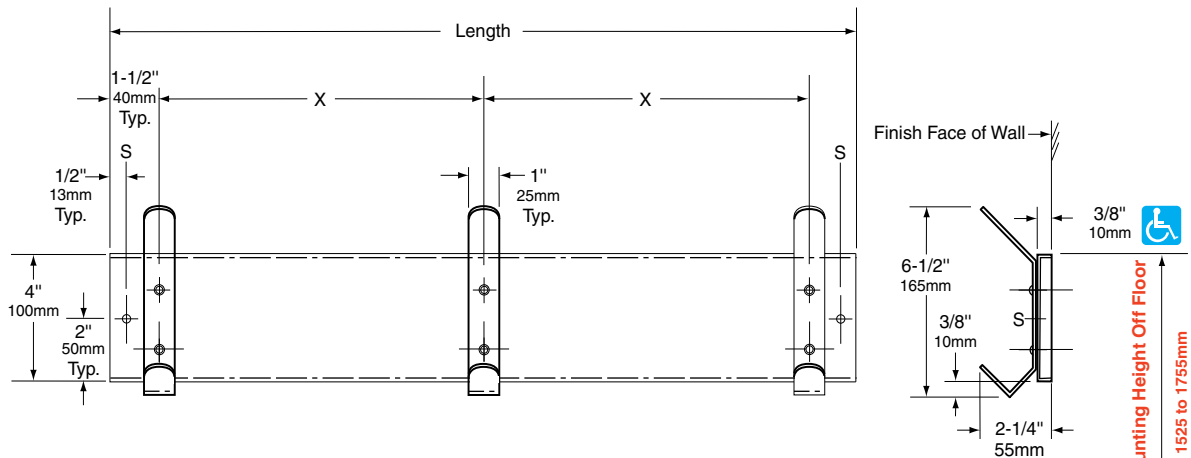




Technical Data

STAINLESS STEEL HOOK STRIP

B-232



STANDARD STOCK SIZES

Model No.	Length	X	Number of Hooks	Number of Mounting Screw Holes
B-232 x 24	24" (610mm)	10-1/2" (265mm)	3	2
B-232 x 36	36" (915mm)	11" (280mm)	4	3

MATERIALS:

Hooks — 18-8 S, type-304, 12-gauge (2.8mm) stainless steel with satin finish. Each hook attached to mounting strip with two rivets.

Mounting Strip — 18-8 S, type-304, 18-gauge (1.2mm) stainless steel with satin finish.

INSTALLATION:

Mount unit on wall with screws (not furnished by manufacturer) at points indicated by an S. For plaster or dry wall construction, provide concealed backing to comply with local building codes, then secure unit with screws. For other wall surfaces, provide fiber plugs or expansion shields for use with screws or provide 1/8" (3mm) toggle bolts or expansion bolts.

SPECIFICATION:

Hook strip shall be type-304 stainless steel with satin finish. Hooks shall be 12 gauge (2.8mm) and mounting strip shall be 18 gauge (1.2mm). Manufacturer's service and parts manual shall be provided to the building/manager upon request.

Stainless Steel Hook Strip shall be Model _____ (insert model number) of Bobrick Washroom Equipment, Inc., Clifton Park, New York; Jackson, Tennessee; Los Angeles, California; Bobrick Washroom Equipment Company, Scarborough, Ontario; Bobrick Washroom Equipment Pty. Ltd., Australia; and Bobrick Washroom Equipment Limited, United Kingdom.